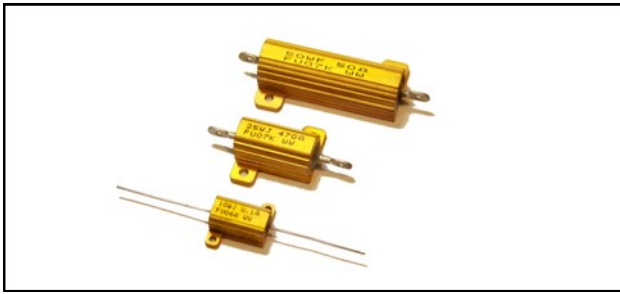


ALUMINUM CASED POWER RESISTOR

GR

黄金铝壳电阻器

ALUMINUM CASED POWER RESISTOR (GR Type)



外观颜色 : Body Color 标示 : Marking
金黄色 : Gold 文字 : Alphanumeric

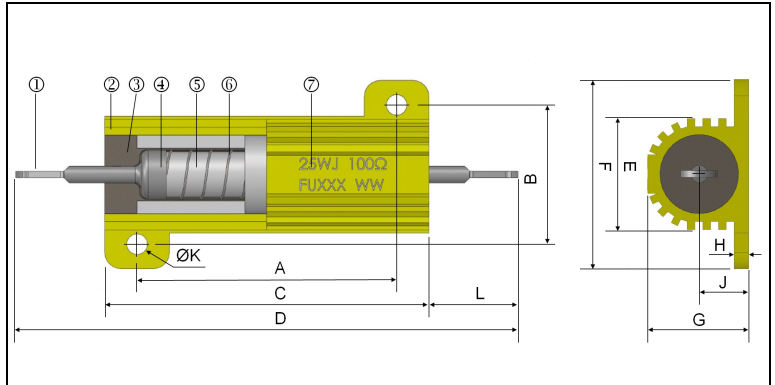
特性 Feature

- ◎高稳定性强之设计和高脉冲 20KV
- ◎ High stability strong construction and anti-surge to 20KV.
- ◎可依客户需求制作
- ◎ Can be produced according to customer's request.
- ◎产品符合欧盟 RoHS 要求
- ◎ Products meet EU-RoHS.
- ◎可提供低电感
- ◎ Low inductance is available.

料号编码 Type composition 例 Example

RG	W	05	J	10R0	P000	GR
型名 Type	品名 Size	额定功率 Rated power	误差值 Tolerance	电阻值(Ω) Resistance	二次加工 Forming	端子线 Lead Wire
	Wire	05:5W A0:10W E0:50W P0:300W	F±1% G±2% J±5% K±10%	R100=0.1 1R00=1 10R0=10 1000=100 1001=1K 1002=10K 1005=10M 1007=1000M	P000= Straight P00T= Terminal NW00= No sense winding NWOT= Terminal	Aluminum Cased

结构图 Construction



1	端子线	Lead wire	5	瓷棒	Ceramic base
2	铝壳	Aluminum case	6	绕线 / 皮膜	Wire wound / Film
3	硅水泥	Silicon cement			
4	铁帽	Cap	7	标示	Marking

外形尺寸 Dimensions (mm)

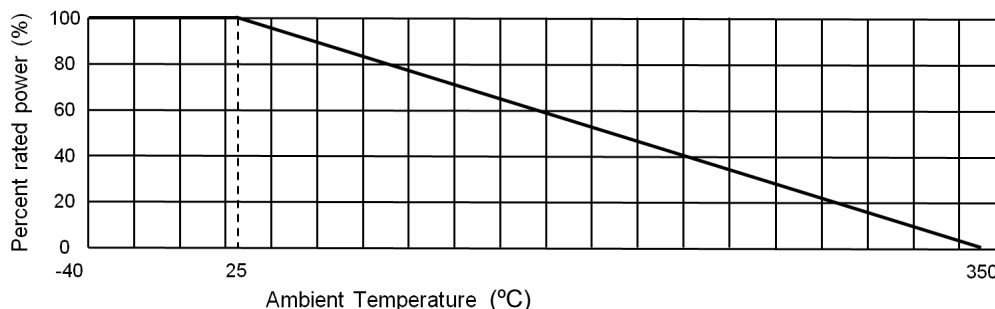
Rated Power (W)	5	10	25	50	100	225~300
D±2	25.5	29	52	67	114	150
C±1	15.5	19	27	50	89	114
A±0.4	11.5	14.5	18	39	70	76
L±1	5	5	12.5	8.5	12.5	18
F±1	16.5	20.5	27.3	29	71.5	76
B±0.4	12.5	14	19.5	21.6	57	64
E±1	8.5	10	13.4	15.3	46	54
N±0.1	2.2	2.2	2.2	2.2	---	---
K±0.3	2.5	2.4	3.2	3.2	4.8	4.8
G±1	8	10	15.5	15.5	44.5	55.6
J±1	2.2	5	6.6	7.6	21	24.4
H±0.2	1.5	2	2.2	2.2	4.7	6.4

额定 Ratings

型名 Type	Rated Power (W)	材质 Material	阻值范围 Resistance Range(Ω)		误差值 Tolerance	温度系数 T.C.R.	最高使用电压 Max. Working Voltage	耐电压 Dielectric Withstanding Voltage
			Standard	Non-inductive				
GR-5	4.5	Film	1.5K~1G	200~10M	F±1% G±2% J±5% K±10%	±350ppm/°C	1500V	1000V
	5	Wire Wound	0.1Ω~1.5K	0.02~200				
GR-10	8.5	Film	2K~1G	470~10M				
	10	Wire Wound	0.1~2K	0.02~470				
GR-25	20	Film	4.7K~1G	1.2K~10M				
	25	Wire Wound	0.5~4.7K	0.1~1.2K				
GR-50	45	Film	10K~2G	1.5K~1M				
	50	Wire Wound	1~40K	0.2~1.5K				
GR-100	100	Wire Wound	3~25K	0.5~4K				
GR-225	225~300	Wire Wound	3~25K	0.5~4K				
GR-300								

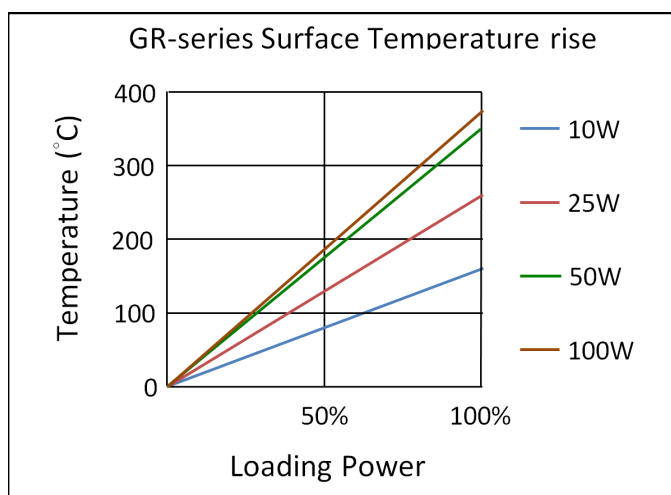
■ 额定温度下降曲线图 Derating curve

例 Example



■ 负荷电力对表面温度上升图

SURFACE TEMPERATURE RISE Vs. LOADED POWER



■ 性能 Performance

试验项目 Test Items	规格值 Performance Requirements	试验方法 Test Methods
电阻值 Resistance	规定的误差值内 Within specified tolerance	测量点从端盖 10mm Measuring points are 10mm from the end cap
温度系数 T.C.R.	规定值内 Within specified T.C.R.	室温+100°C Room temperature +100°C
短时间过负荷 Short time overload	±(1%+0.05Ω)	6.25 倍额定功率, 5 秒 6.25 times the rated power for 5 seconds
负荷寿命 Load life	±(5%+0.1Ω)	Rated voltage at 70°C for 1,000 hours 1.5hr ON / 0.5hr OFF Cycles
耐湿负荷寿命 Load life in humidity	±(5%+0.1Ω)	10% rate power load 40°C, 95% RH for 1,000 hours; 1.5h ON / 0.5h OFF cycle
耐湿性 Moisture resistance	±(1%+0.05Ω)	40°C · 95% RH · 240 小时 40°C, 95% RH for 240 hours
温度循环 Temperature cycle	±(1%+0.05Ω)	5 cycles for -25°C (30min) : room temp. (30min) ~ +85°C (30min) room temp. (30min)
焊锡耐热 Resistance to soldering heat	±(1%+0.05Ω)	260°C ± 5°C for 10 seconds (焊锡槽) 350°C ± 10°C for 3.5 seconds (手焊锡)
绝缘电阻 Insulation resistance	>1,000MΩ	500V 绝缘测试 1 分钟 500V insulation test 1min.